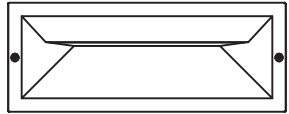
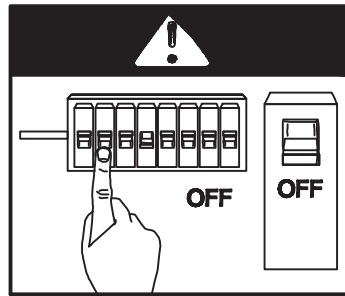


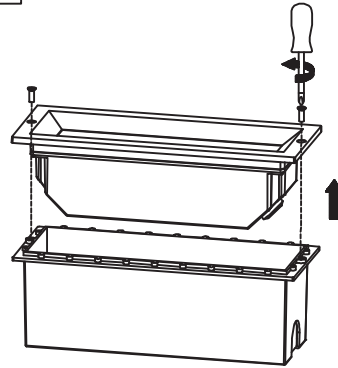
OUTDOOR



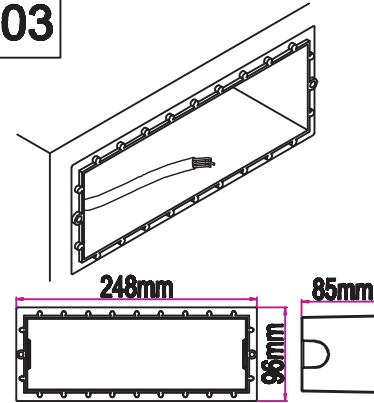
01



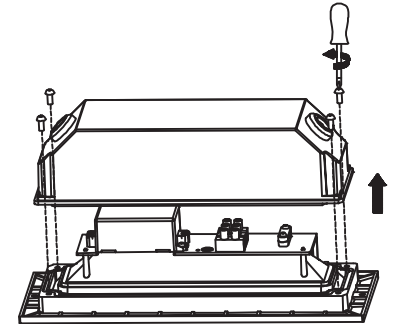
02



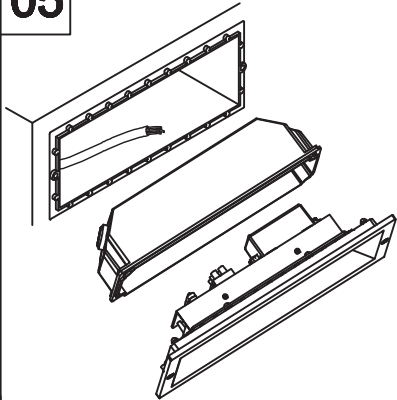
03



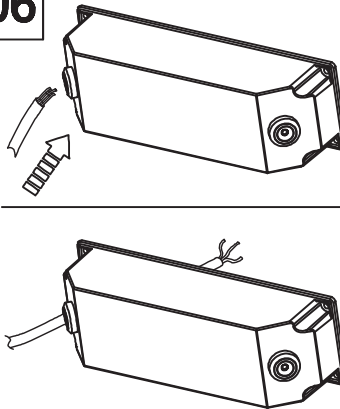
04



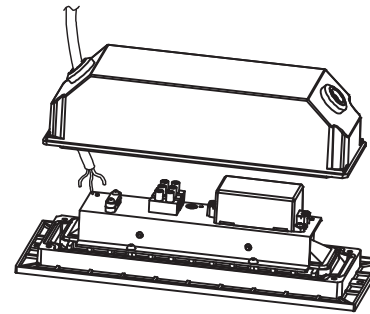
05



06

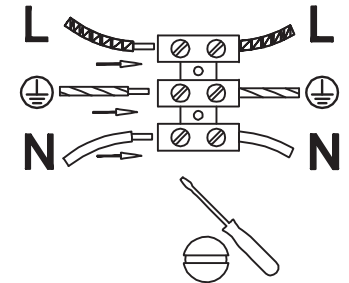


07

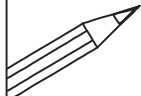


08

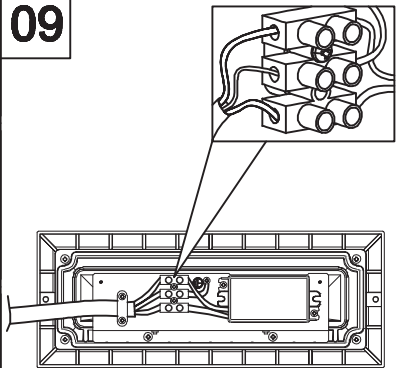
L= Brown or Red
N= Blue
⊕=Green/Yellow



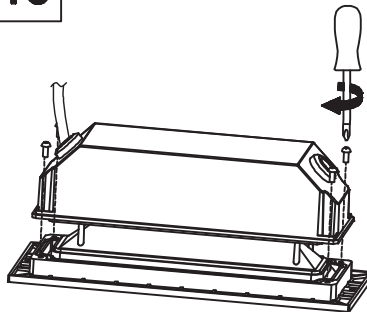
You will need



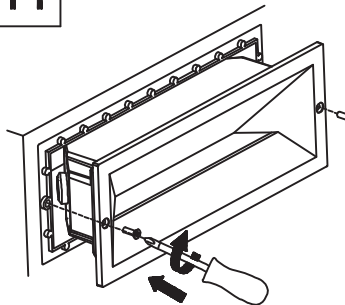
09



10



11



12

